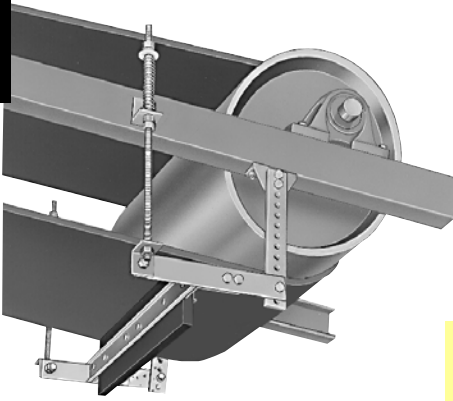
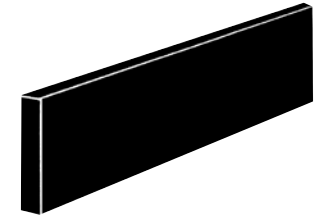


Model 76 Rubber Wiper Blade Conveyor Belt Cleaner



- Inexpensive • Eliminates wear by removing abrasive materials • Saves clean-up expenses, cuts maintenance costs • Available from stock for belts 12" thru 72" • Can be left in contact with belt even when belt is reversed • Built-in safety feature: rubber blade can only be returned to extent springs are compressed. Features mechanically adjustable safety stop • Economical-low initial cost, easy to install and no moving parts • High quality 1"x 6" D-80 rubber wiper material furnished as standard. Blade is reversible for double wear.



- PC CONVEYOR SAFETY STOP SWITCH
- SS CABLE OPERATED SAFETY STOP SWITCH
- MODEL 16 BELT ALIGNMENT SWITCH
- MODEL SRC SPEED RESPONSIVE SWITCH
- FLOW SWITCH
- BRUSH TYPE CONVEYOR BELT CLEANER
- COIL SPRING CONVEYOR BELT CLEANER
- RUBBER WIPER BLADE BELT CLEANER
- FLOW TYPE CONVEYOR BELT CLEANER
- CONVEYOR HOODS
- BIN AERATORS

ORDERING INFORMATION

REPLACEMENT BLADES

BELT WIDTH	NET WT. LBS.	BELT WIDTH	NET WT. LBS.
12"	40	12"	3.2
16"	42	16"	4.3
18"	43	18"	4.8
20"	44	20"	5.3
24"	47	24"	6.4
30"	50	30"	8.0
36"	54	36"	9.6
42"	57	42"	11.2
48"	61	48"	12.8
54"	64	54"	14.4
60"	68	60"	16.0
72"	75	72"	19.2

Complete cleaner has 1"x6" D-80 rubber blade.

Made from our own 1"x6" D-80 solid rubber.

D-80 CONVEYOR BELT WIPER RUBBER ABSOLUTELY THE FINEST BELT CLEANER MATERIAL AVAILABLE

(used as standard wiper material on our model 74 and 76 cleaners)

Our D-80 belt wiper rubber is an 80 durometer solid rubber compounded especially for belt cleaning applications. It has the proper stiffness, and probably just as important, it is highly abrasive resistant. We guarantee it to improve the cleaning effectiveness of your belt cleaners.

Now at prices competitive with ineffective substitutes such as skirtboard rubber and chute lining. We will cut into desired blade lengths at no extra charge.

PART NO.	GAUGE	WIDTH	NET. LBS. PER FT.
0124	1/2"	4"	1.0 lbs.
0126	12"	6"	1.6 lbs.
1006	1"	6"	3.2 lbs.
1009	1"	9"	4.7 lbs.

